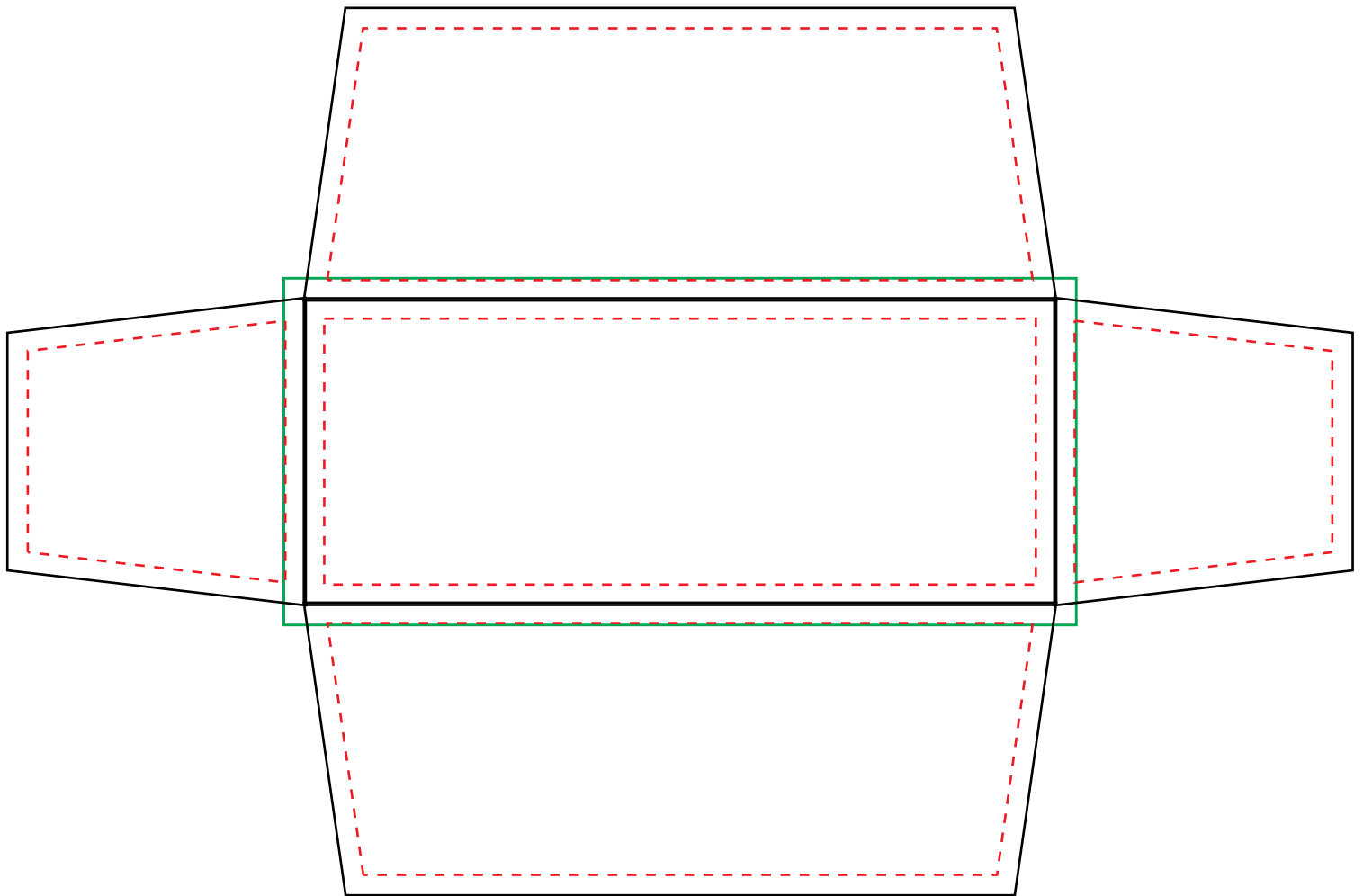


# 3361X2217MM STRETCH TABLE WRAP

\* PLEASE SUPPLY ARTWORK AS A PRINT-READY PDF WITH ALL FONTS CONVERTED TO PATHS AND ALL LINKS EITHER EMBEDDED OR ATTACHED.



 **FINISHED LINE**

 **SAFE LINE**

**SCALE 1:17**